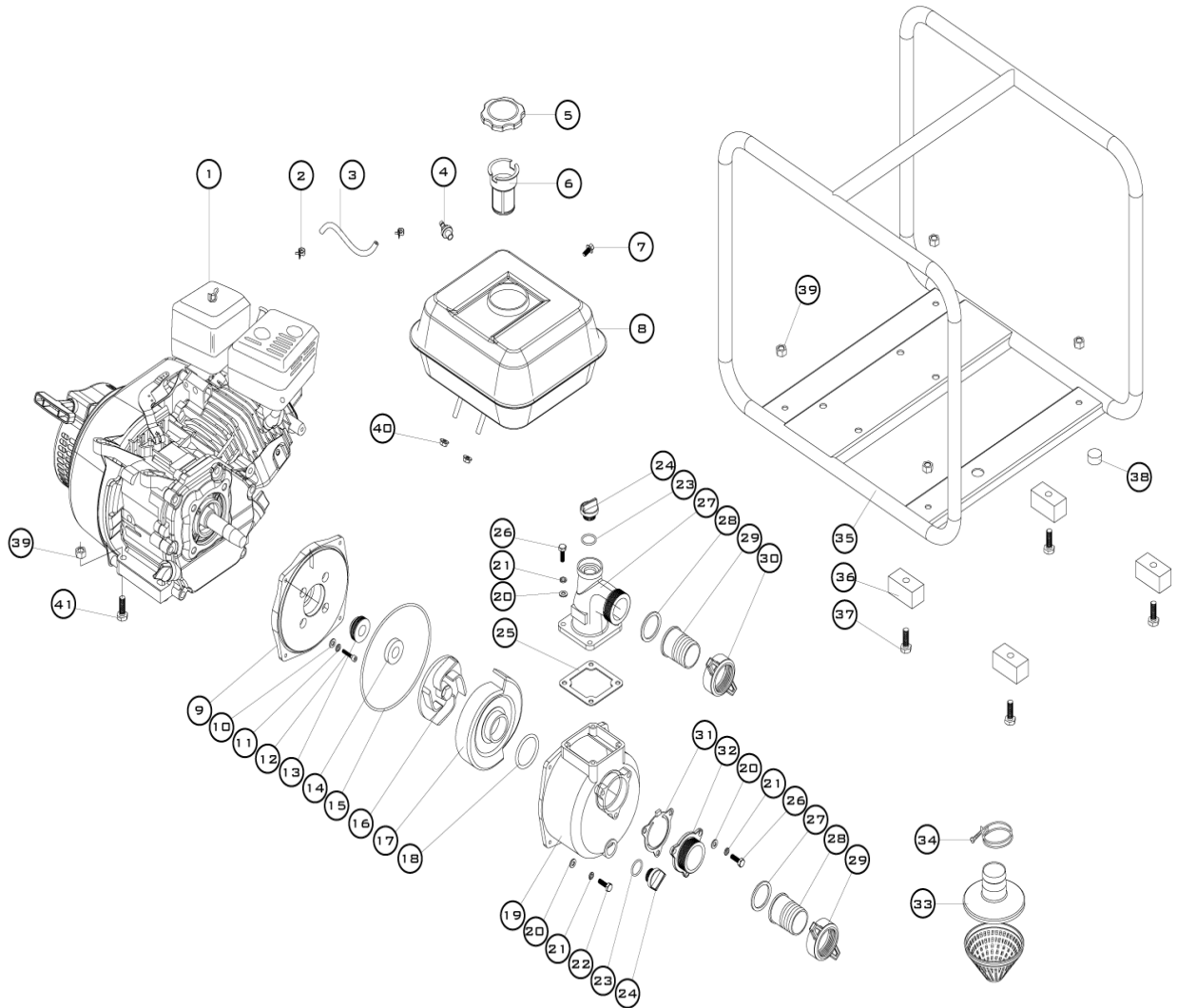


GP80



GP80

NO.	CODE	DESCRIPTION	QTY.
1	2EP21011	UP170 gasoline engine	1
2	3A2006001	Pipe clamp	2
3	3B0111007	Fuel pipe	1
4	3A2006400	Connector	1
5	3A2006100	Fuel tank cup	1
6	3A2006007	Filter cup	1
7	3S22060251	flange bolt M6X25	1
8	3A2006009	Fuel tank	1
9	3G3080001	Pump cover	1
10	3S35081	washerφ8	4
11	3G4050004	rubber washer	4
12	3S24080603	Inner hex bolt M8x60	4
13	3G3080002A	Mechanical seal	1
14	3G3080006	porcelain seal	1
15	3G3080003	O ring	1
16	3G3080007	water pump impeller	1
17	3G3080008	volute casing	1
18	3G3080009	rubber bushing	1
19	3G3080010	housing of pump	1
20	3S35101	washer φ10	11
21	3S31102	spring washer φ10	11
22	3S22100301	flange bolt M10X30	4
23	3G3040013A	O ring	2
24	3G3080013	plug packing	2
25	3G3080014A	rubber washer	1
26	3S22100251	flange bolt M10X25	7
27	3G3080015	outlet flange	1
28	3G3080020	rubber washer	2
29	3G3080021	pipe joint	2
30	3G3050022	joint grip	2
31	3G3080011	check valve	1
32	3G3080012A	inlet flange	1
33	3G3080024	filter net	1
34	3G3080023	Rear housing	3
35	3JPG8000	frame	1
36	3G20011	shock absorber	4
37	3S210802051	flange bolt M8X25	4
38	3C13008	shock absorber	1
39	3S12081	flange nut M8	8
40	3S12061	flange nut M6	2
41	3S22080351	flange bolt M8X35	4